

LH-425

**Underground
Loader**



LH-425

**TALPA MACHINES ARE BUILT TO WORK
UNDER TOUGH MINING APPLICATIONS.**

Talpa LH425 is a diesel powered loader for large scale tunneling and mining applications.

The powerful four wheel drive articulated chasis ensures high safety and efficiency in underground.

Talpa LH425 is easy to use with state of art driveline and ergonomic ROPS-FOPS certified canopy providing the lowest cost of operation.

www.talpamining.com



TECHNICAL SPECIFICATIONS TALPA LH-425

Operating Data

Operating capacity:	28000 kg
Length:	9825 mm
Height – Canopy:	2380 mm
Bucket :	4 m ³ /10000 kg

Driveline

Transmission:	DANA 36000
Reverse:	4
Forward:	4
Torque:	DANA C5000 Series
Axle:	Kessler D101
Oscillation:	+/- 8°
Brakes:	SAHR
Tyres	18.00R25

Engine

Engine Build/Model:	Mercedes OM926LA 220 kW/2200 rpm
Engine Option (1):	Cummins QSL 9, 209 kW/2000 rpm
Engine Option (2):	Volvo TAD852VE, 210 kW/2200 rpm
Other Info:	Common Rail Tier IIIA Turbocharged Intercooled

Cooling System:	Water
Cylinders:	6
Radiator:	Yes
Catalytic Converter:	Yes

Canopy

Steering:	Joystick
	Rear view camera display in operator cabin
	Closed cabin with A/C & Heating

Electrical System

System voltage:	24V
-----------------	-----

Hydraulic System

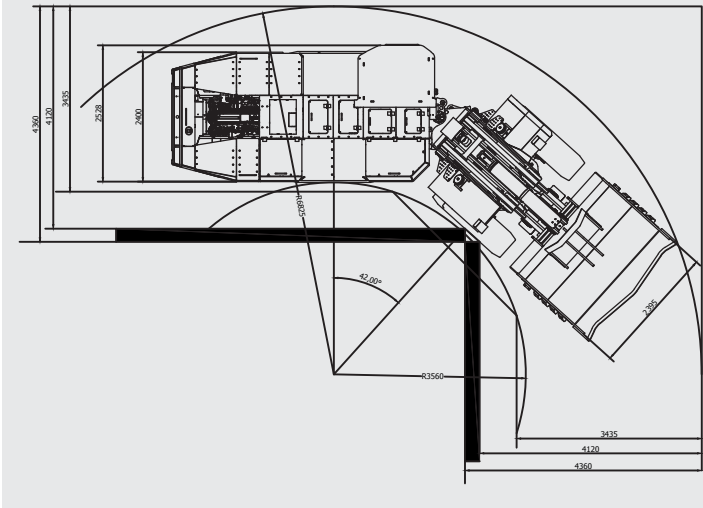
Main pump:	Gear
Manual hyd.tank fill pump:	Yes
Filtration type:	Return, Suction

Control System

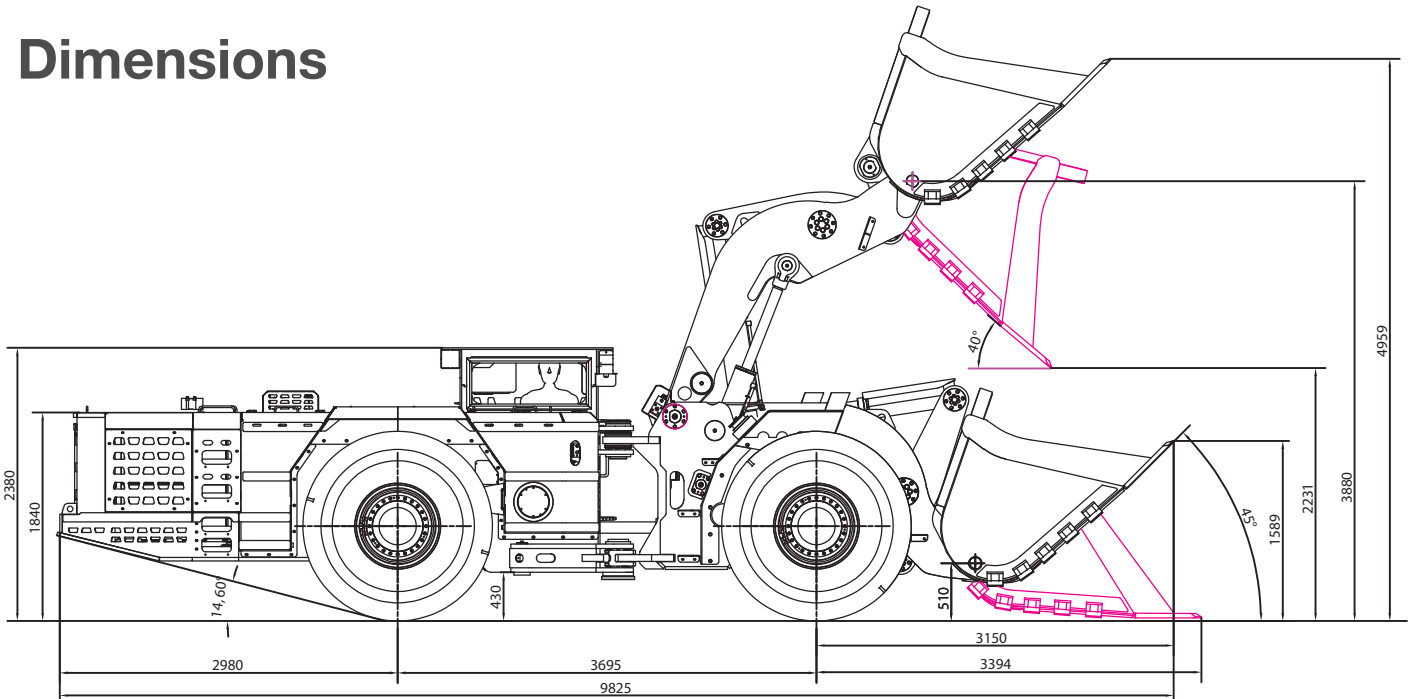
Type:	Electrohydraulic (PWM)
Remote control:	Optional – HBC Radiomatic

Various

Reverse movement audible alarm:	Yes
Fire Extinguishing:	Optional



Dimensions



Contact Us

Talpa Machinery Industry and Commerce Inc.
10013 Sokak No: 8 AOSB Çiğli - İzmir - TURKEY
Tel: 0090 232 503 40 50 - talpa@talpamining.com